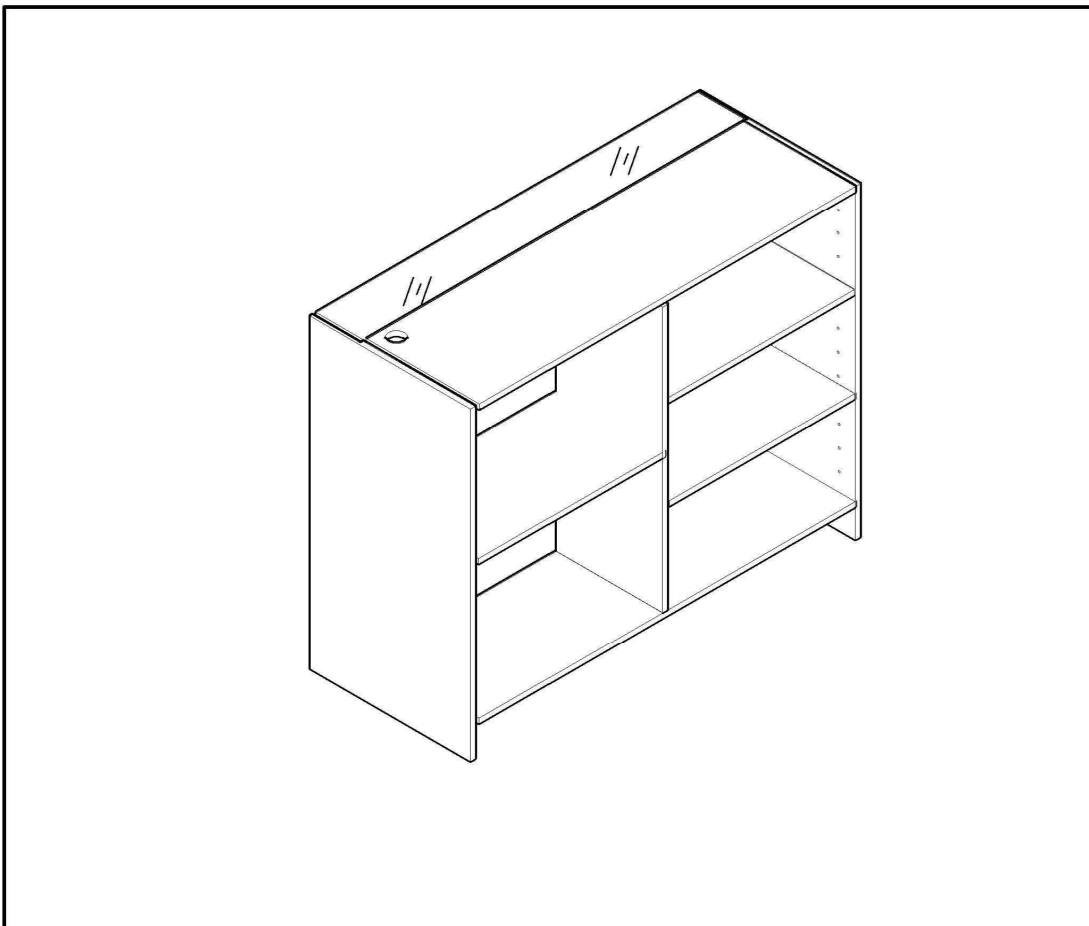


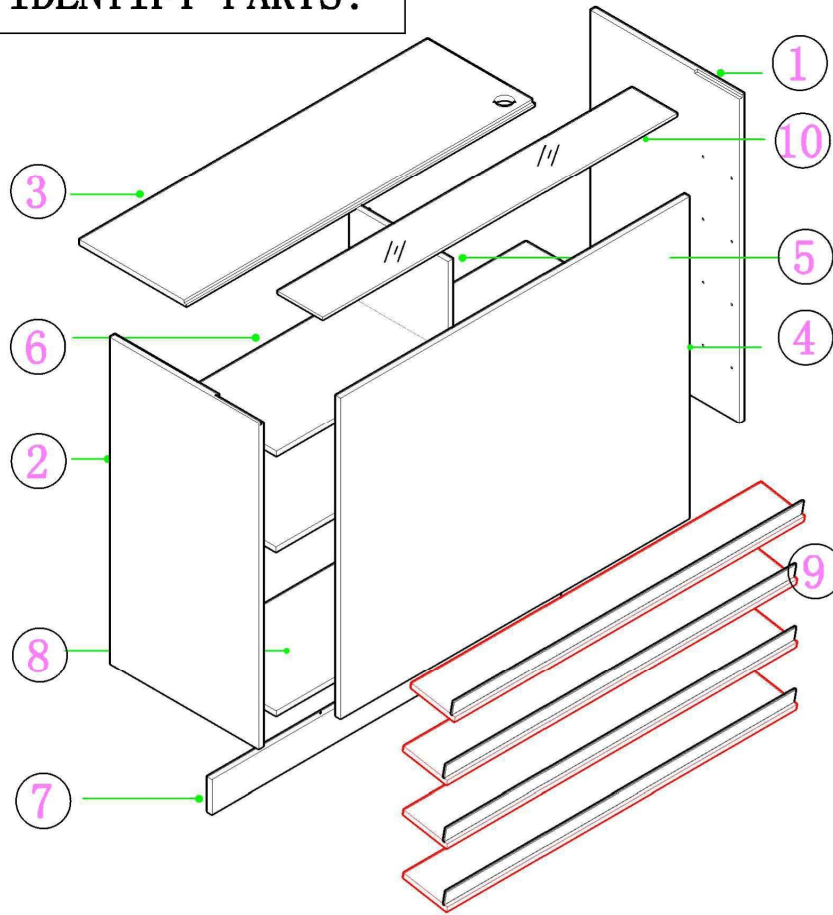
ASSEMBLY INSTRUCTIONS MANUAL

POS COUNTER WITH CONFECTIONARY DISPLAY

SW725-1500G 1500mm (D) × 600mm (W) × 950mm (H)



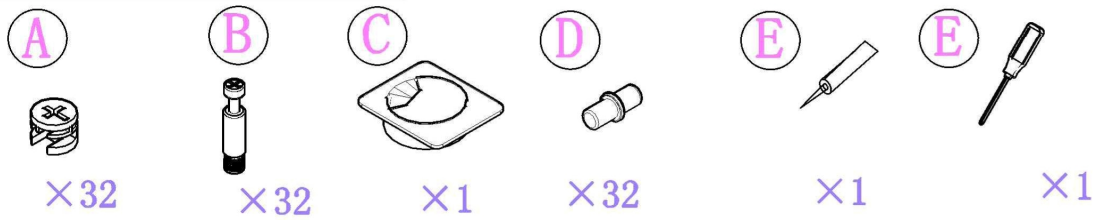
IDENTIFY PARTS:



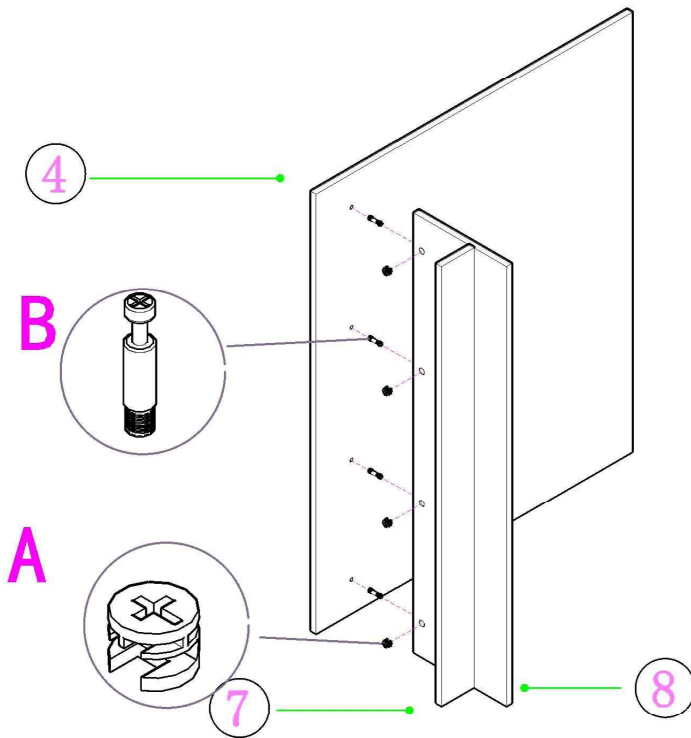
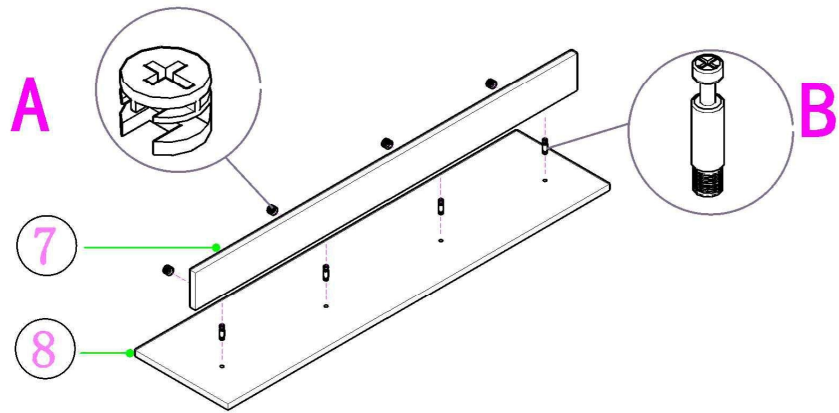
Please check below measurement sizes to identify parts:

Item	Size	Qty
1	950*600*15	1
2	950*600*15	1
3	1470*458*15	1
4	1470*934*15	1
5	819*384*15	1
6	726*381*15	3
7	1470*100*15	1
8	1470*384*15	1
9	1469*198*18	4
10	1486*150*8	1

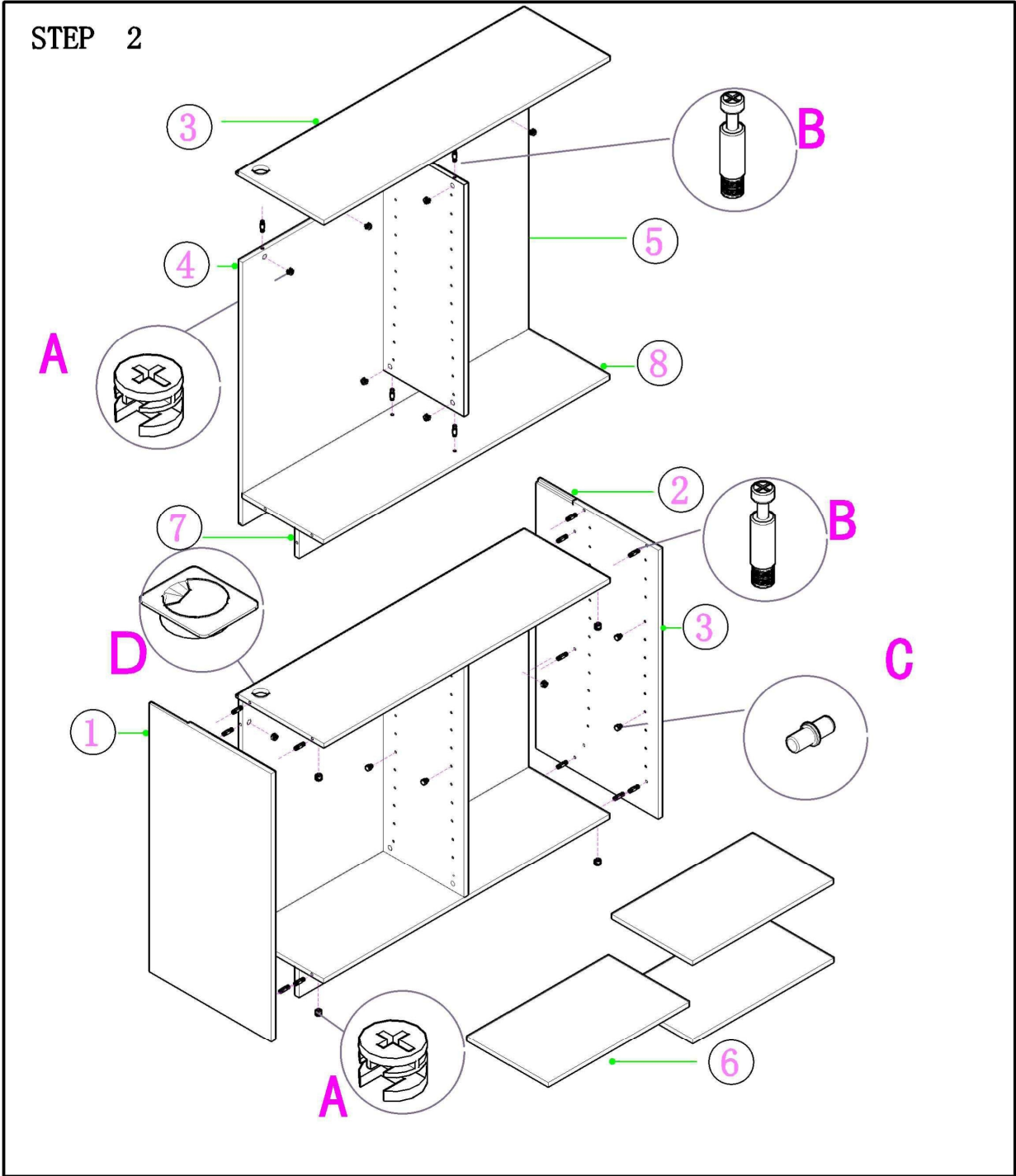
HARDWARE CONTENTS:



STEP 1



STEP 2



STEP 3

